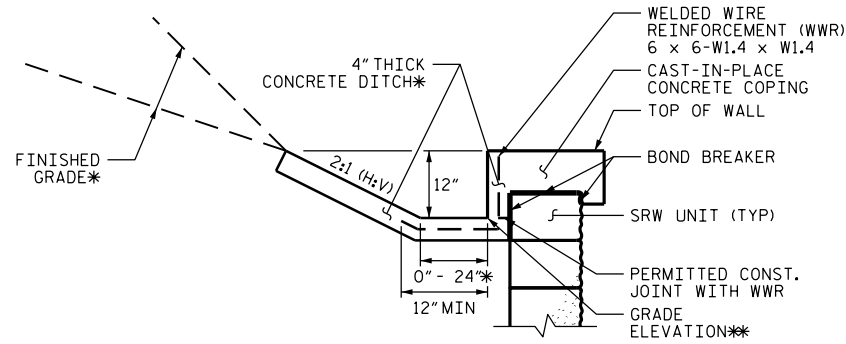
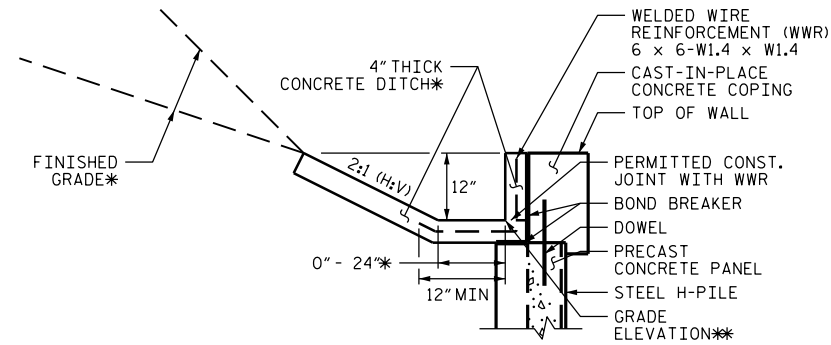
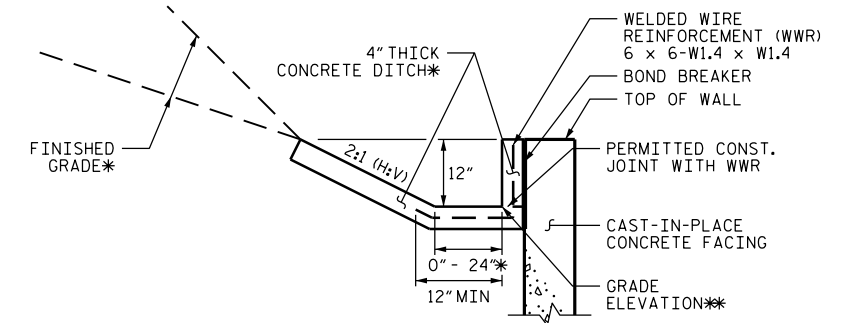
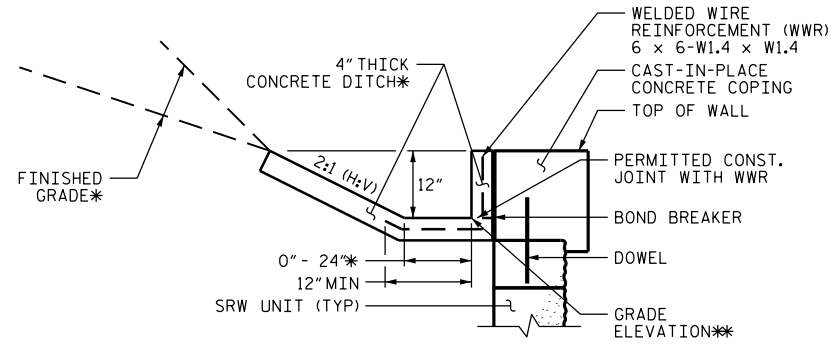


SOLDIER PILE WALL WITH PRECAST PANELS

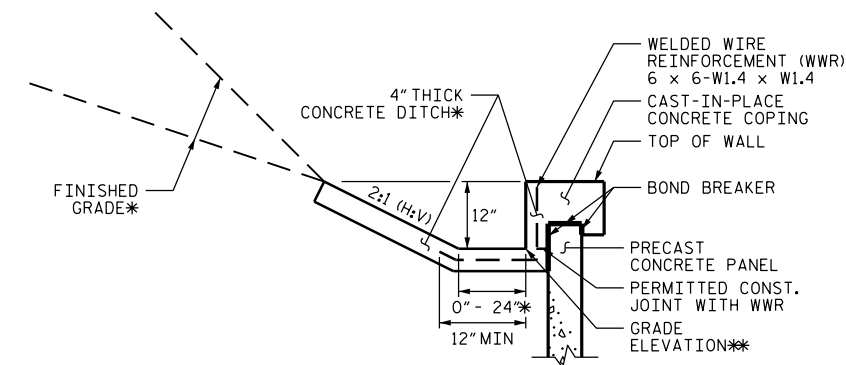


MSE WALL WITH SEGMENTAL RETAINING WALL (SRW) UNITS

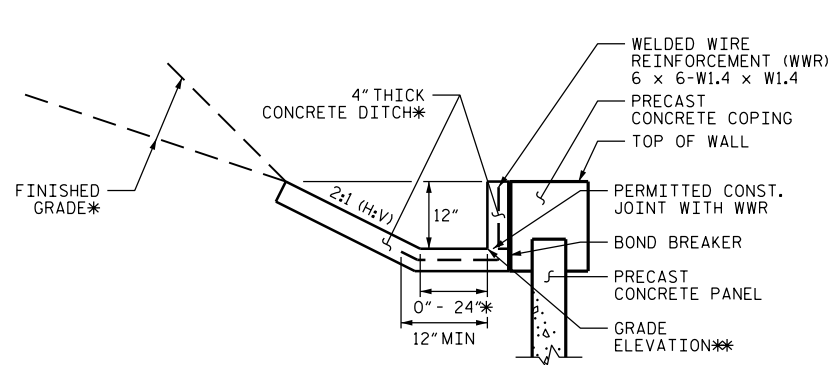


CONCRETE DITCH BEHIND WALL WITH CONCRETE FACING

*SEE ROADWAY PLANS FOR CONCRETE DITCH AND FINISHED GRADE DETAILS.
**SEE WALL ENVELOPE FOR GRADE ELEVATIONS.



MSE WALL WITH PRECAST PANELS

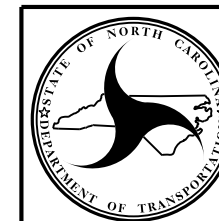


CONCRETE DITCH BEHIND WALL WITH CONCRETE COPING

*SEE ROADWAY PLANS FOR CONCRETE DITCH AND FINISHED GRADE DETAILS.
**SEE WALL ENVELOPE FOR GRADE ELEVATIONS.

FOR CONCRETE DITCHES, SEE SECTION 850 OF THE STANDARD SPECIFICATIONS.

PRELIMINARY PLANS
DO NOT USE FOR CONSTRUCTION



NORTH CAROLINA
DEPARTMENT OF TRANSPORTATION
DIVISION OF HIGHWAYS

**GEOTECHNICAL
ENGINEERING UNIT**

STD CELL Wall_Ditch_Slope

CONCRETE DITCH BEHIND WALL
WITH BACK SLOPE FOR
CONCRETE FACING AND COPING

DATE: 3-17-15